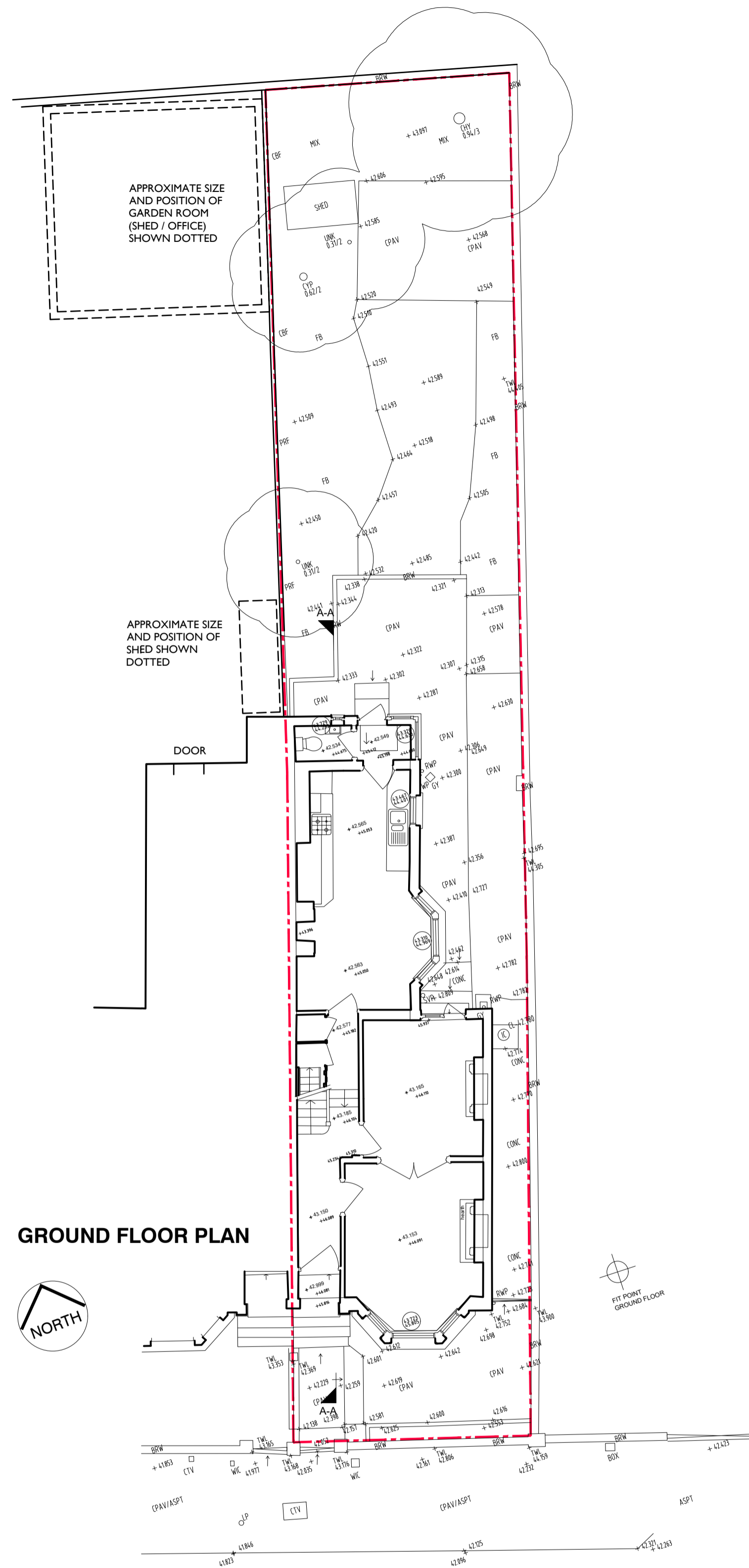


LOCATION PLAN, 1:1250 @ A1, 1:2500 @ A3



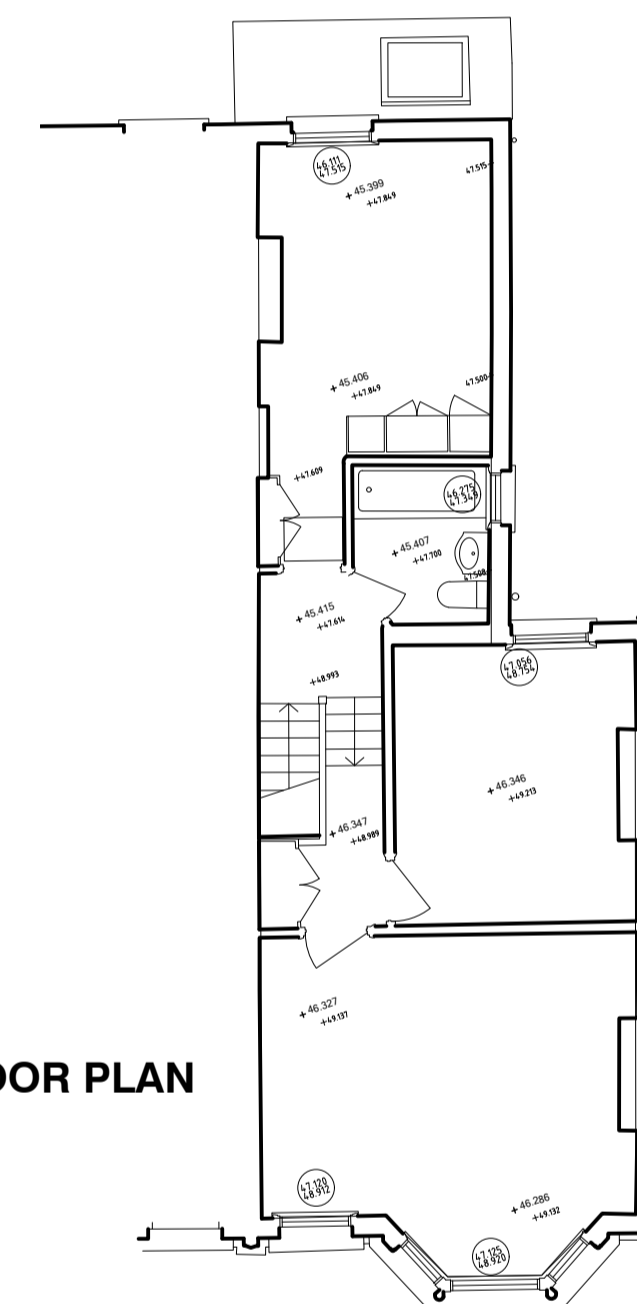
GROUND FLOOR PLAN



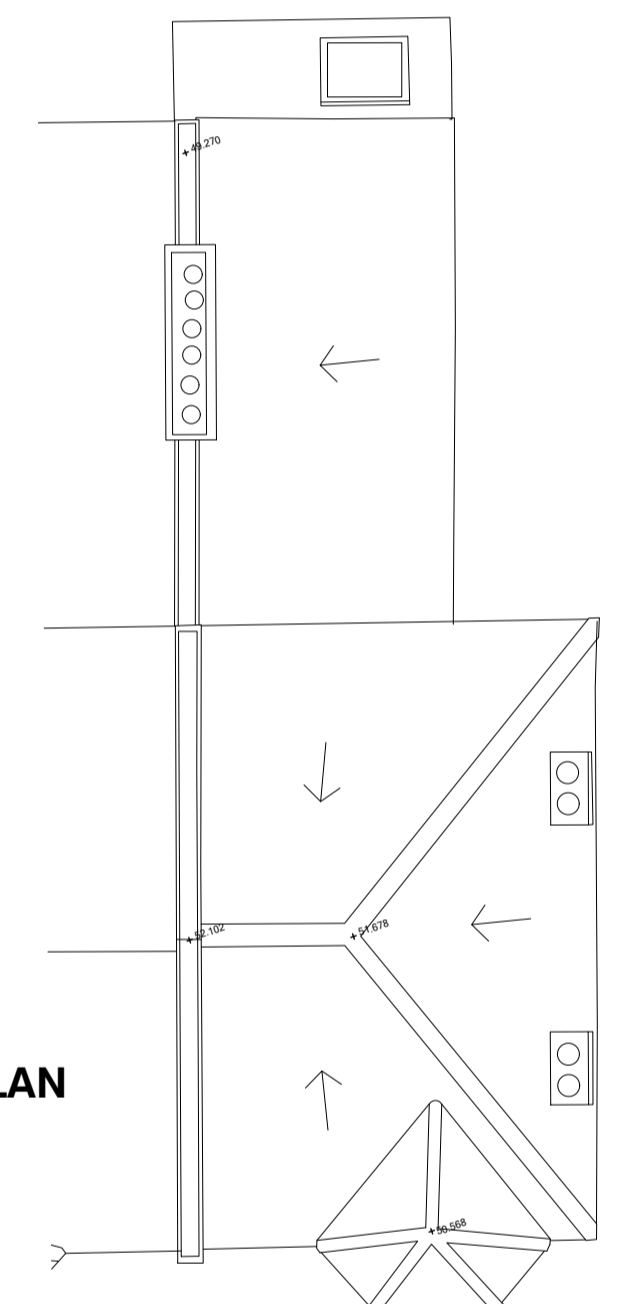
BASEMENT



FRONT ELEVATION (SOUTH)



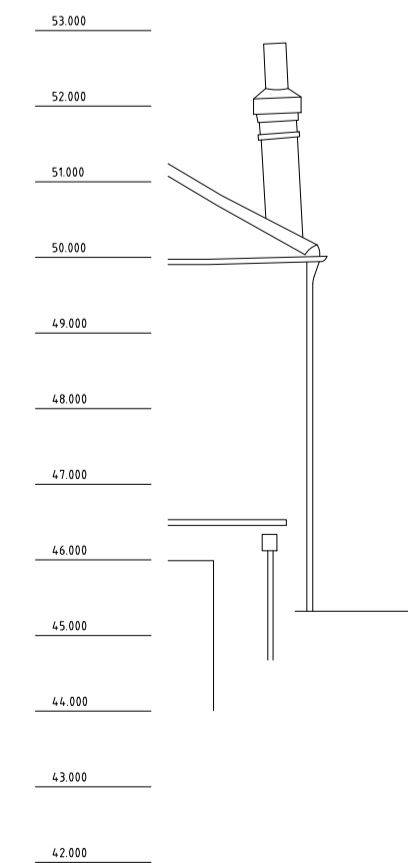
1ST FLOOR PLAN



ROOF PLAN



SIDE ELEVATION (EAST)



REAR ELEVATION (NORTH)

PLANS AND ELEVATIONS, 1:100 @ A1, 1:200 @ A3

IMPORTANT
Do not work from reduced scale drawings. Please refer to scale and sheet size as indicated.
Dimensions are not to be scaled from this drawing. Use only written dimensions. Consultants and Contractors must verify all dimensions before starting work and any discrepancies are to be reported to Urban View.
This drawing is the property of Urban View and Copyright is reserved by them. This drawing is issued on condition that it is not copied or disclosed by or to any unauthorised persons without prior consent in writing of Urban View.

Revision: Date
A: 28.03.22
B: 28.11.22
LOCATION PLAN SCALE CHANGED FROM 1:1000 TO 1:1250.

URBAN VIEW architecture
Studio 1, 48 Osmond Road, Hove, Brighton, BN3 1TD.
Telephone: +44 (0)1273 704 940
Website: www.urbanview.co.uk

Client
Cantel Developments Limited
Basement Office,
335 Brockley Road,
London
SE4 2RA

Project
41 DRAKEFELL ROAD,
LONDON
SE14 5SL

Drawing Title
**PLANNING:
EXISTING DRAWINGS**

Scale AS SHOWN	Drawn by ABM
Date DECEMBER 2021	Checked by HD
Drawing Number 2065-P-01	Revision B